



# DATASHEET

# BRICK | HINGE

Compatible with:  
PB15 PixelBrick

Date: 01/28/21 Version: 1.0



Connect 2 PixelBricks, angle them to spread their beam and to create shapes.

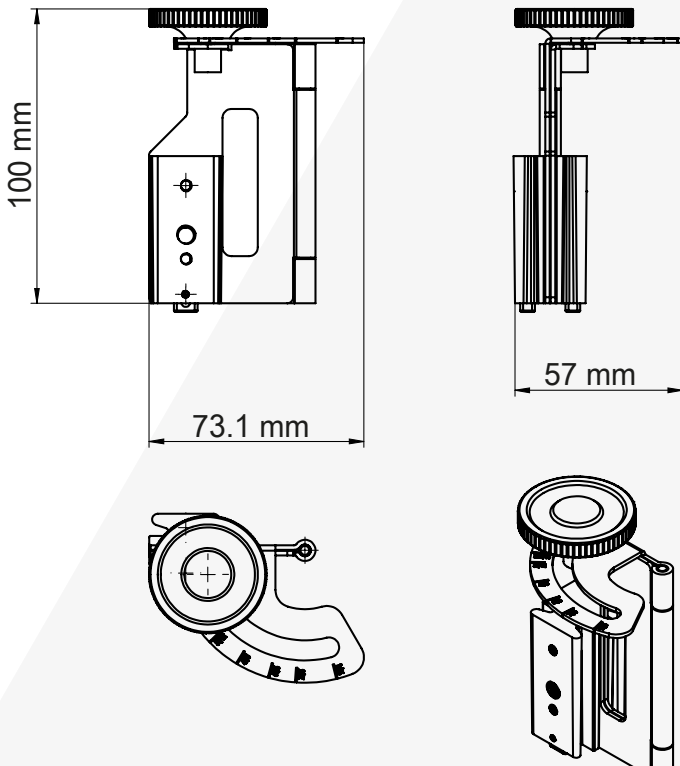
### BrickHinge on PixelBrick



## SPECIFICATIONS

Order Code Holder	PB15-BHI
Dimensions (mm/inch)	73.1 x 100 x 57 / 2.9 x 3.9 x 2.2
Weight (kg/lbs)	0.22 / 0.48
Material	Stainless Steel

## DRAWINGS



## USE CASES

