



DATASHEET

TRACK | HANGER

Compatible with:
AX2-50, AX2-100 and Astera products with
AirlineTrack (minimum 3 bolt holes)

Date: 01/28/21 Version: 1.0

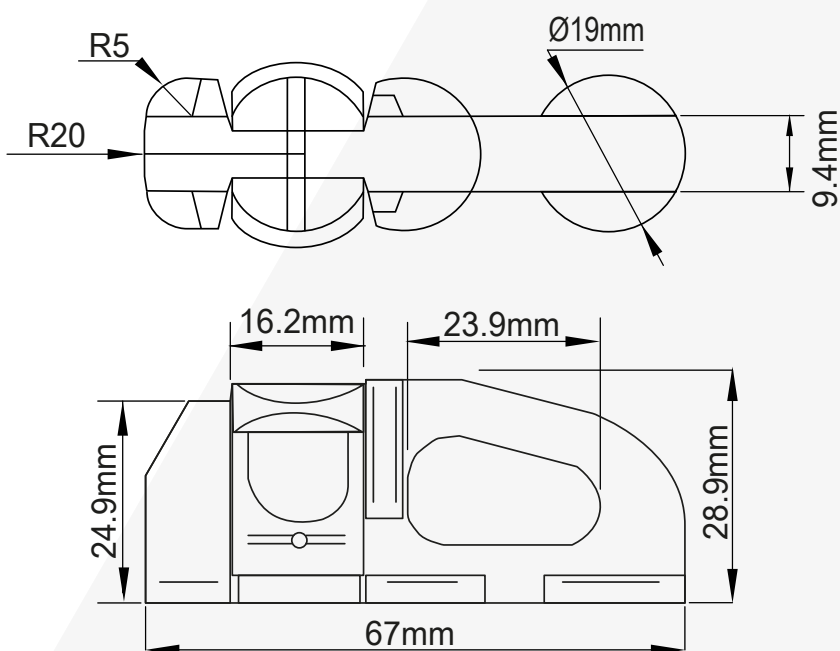
Hanger with double-stud fitting to work with airline tracks.



SPECIFICATIONS

Order Code	AX-TH
Dimensions (mm/inch)	67 x 28.9 x 19 / 2.6 x 1.1 x 0.7
Weight (kg/lbs)	0.125 / 0.27
Material	Steel

DRAWINGS



USE CASES

TrackHanger mounted on AX2 AirlineTrack

