



DATASHEET

TRACK | PIN

Compatible with:
AX2-50, AX2-100, PowerStation for NYX Bulb and all
Astera products with AirlineTrack

Date: 01/28/21 Version: 1.0

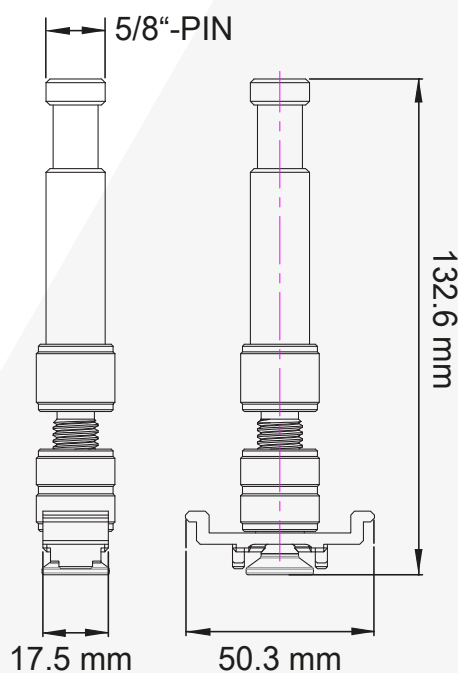


Stainless Steel Babypin with single-stud fitting to work with AirlineTracks.

SPECIFICATIONS

Order Code	AX-TP
Connector	5/8" Pin
Dimensions (mm/inch)	50.3 x 17.5 x 132.6 / 2 x 0.7 x 5.2
Weight (kg/lbs)	0.23 / 0.5
Material	Stainless Steel

DRAWINGS



USE CASES

AX2 mounted with TrackPin + SuperClamp



NYX Bulb/PowerStation mounted with TrackPin + Manfrotto Clamp

