



# DATASHEET

# POWER BOX 2 x 86W

Compatible with:  
PB15 PixelBrick, FP1 Titan Tube, FP2 Helios Tube,  
FP3 Hyperion Tube

Date: 01/28/21 Version: 1.0



Charge or install 8 PixelBricks. Also allows wired data transfer from DMX, ArtNet and sACN sources. Comes with PowerCon AC cable and 8 short DC charging cables. Longer Power/Data Combination cables sold separately.

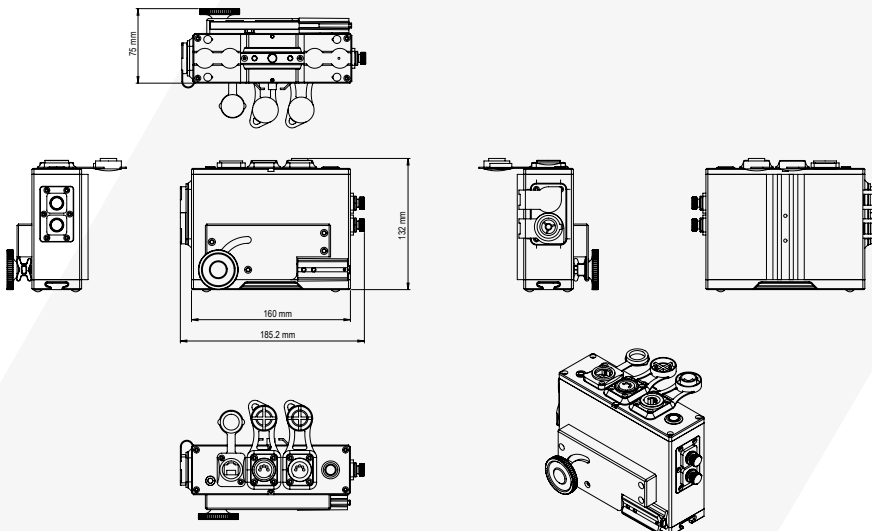
## Accessories

- Power Data Combination Cables
- 0.2m: PWB-CCAB-0.2
- 5m: PWB-CAB-5
- 10m: PWB-CAB-10
- 15m: PWB-CAB-15

## SPECIFICATIONS

Order Code EU	PWB-2-86-EU
Order Code US	PWB-2-86-US
Order Code UK	PWB-2-86-UK
Order Code CH	PWB-2-86-Ch
Order Code AU	PWB-2-86-AU
Input	100-240VAC, 50/60Hz
Input Current	1.8A/115VAC, 1A/230VAC
Output	2 x 24V / 2 x 86W
Output Connectors	2x DC Barrel 5.5/2.1mm
Power IN / Power OUT	PowerCon True1
Data Input	XLR-DMX; ART-Net (1 Universe); sACN (1 Universe) IP Address can be selected between 2.x, 10.x and DHCP. Universe ID can be set by web-interface or pushbutton (by button only 1-16).
Data Output	DMX via DC sockets
Data sockets	5-pin XLR in+out; RJ45 input
IP Rating unwired	IP65
IP Rating wired with PWB-CAB-5/10/15/0.2	IP65
Dimensions (mm/inch)	160 x 122 x 50 / 6.3 x 4.8 x 2
Weight (kg/lbs)	1.5 / 3.3
Housing Material	Aluminium

## DRAWINGS

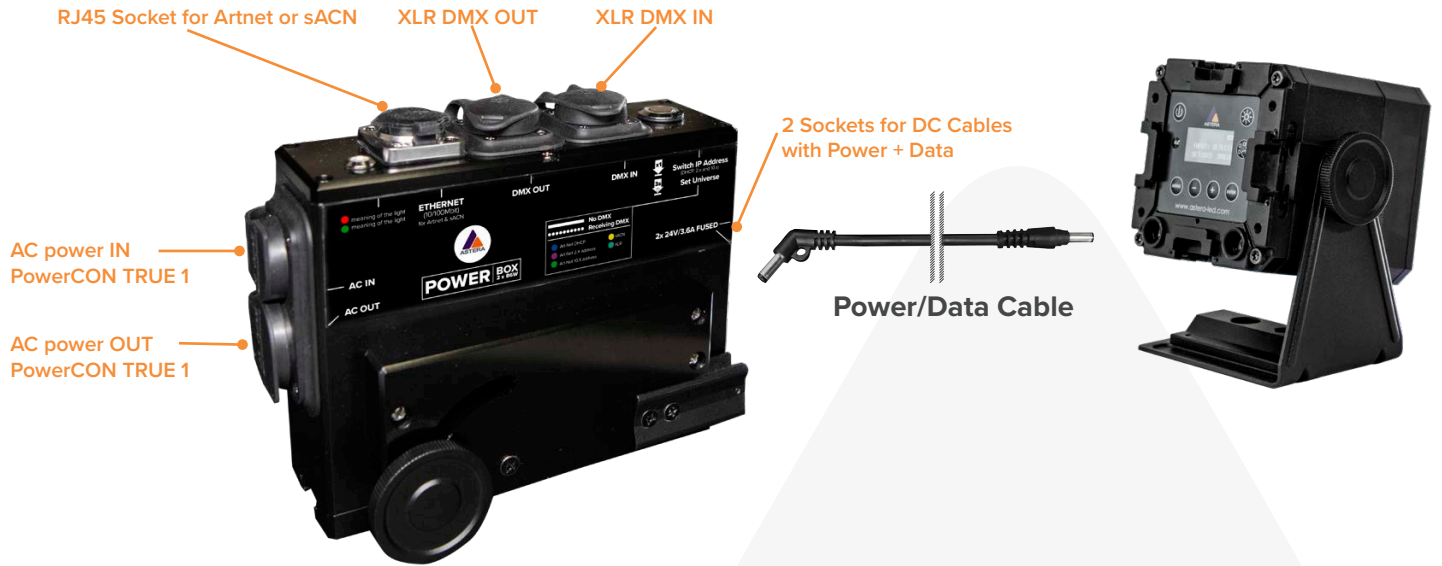


## USE CASE

### PowerBox in PixelBrick set



# CHARGING & CONNECTING



## ACCESSORIES

**Power/Data Cable**  
5m, 10m, 15m  
PWB-CAB-5/-10/-15



IP65 when connected with  
PWB-2-86

**Power/Data Cable**  
0,2m  
PWB-CAB-0.2



IP65 when connected with  
PWB-2-86